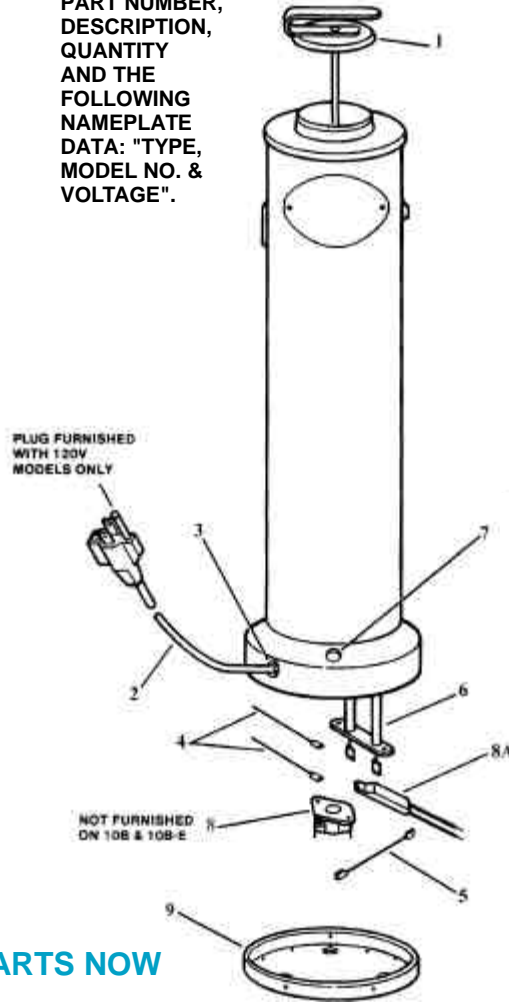


IV. TYPE 10B REPAIR PARTS ILLUSTRATION

WHEN ORDERING,
SPECIFY
PART NUMBER,
DESCRIPTION,
QUANTITY
AND THE
FOLLOWING
NAMEPLATE
DATA: "TYPE,
MODEL NO. &
VOLTAGE".



[CLICK HERE TO ORDER PARTS NOW](#)

Item No.	Description		Qty/ Oven	Part No.		
				120V Models	240V Models	
1	Electrode Holder	Type 10B	Without Thermometer	1	1804600	
		Type 10BTH				
		Type 10BTL				
		Type 10BVT	With Thermometer (shown on page 1)		1	NLA
		Type 10B-E				
		Type 10BTH-E				
Type 10BTL-E						
Type 10BVT-E						
Cord Kit Includes						
2	Cord Assembly with Grounding Plug - (Remove Plug on 240V Models)		1	1257120		
3	Strain Relief Bushing (7P-2)		1			
Lead Kit includes material to make:				NLA		
4	Wire Leads (set of 2) - Not used on type 10B & 10B-E		1			
5	Jumper Wire	Type 10BTH, 10BTH-E, 10BTL, & 10BTL-E	1	NLA		
6	Heating Element	Types 10B & 10B-E	100 Watt	1	4401601	NLA
		Types 10BTL & 10BTL-E	100 Watt	1	4401601	NLA
		Types 10BTH & 10BTH-E	150 Watt	1	NLA	NLA
		Types 10BVT & 10BVT-E	150 Watt	1	NLA	NLA
7	Indicator Light (with Wire Leads)		1	NLA	NLA	
8	Thermostat	Types 10BTH & 10BTH-E	1	NLA		
		Types 10BTL & 10BTL-E	1	NLA		
8A	Adjustable Thermostat	Types 10BVT & 10BVT-E	1	NLA		
9	Bottom		1	NLA		

Phoenix International, Inc. • 8711 West Port Avenue • Milwaukee, WI 53224 USA

Phone (414) 973-3400 • Fax (414) 973-3210 • www.phx-international.com • info@phx-international.com

N5486200G-7