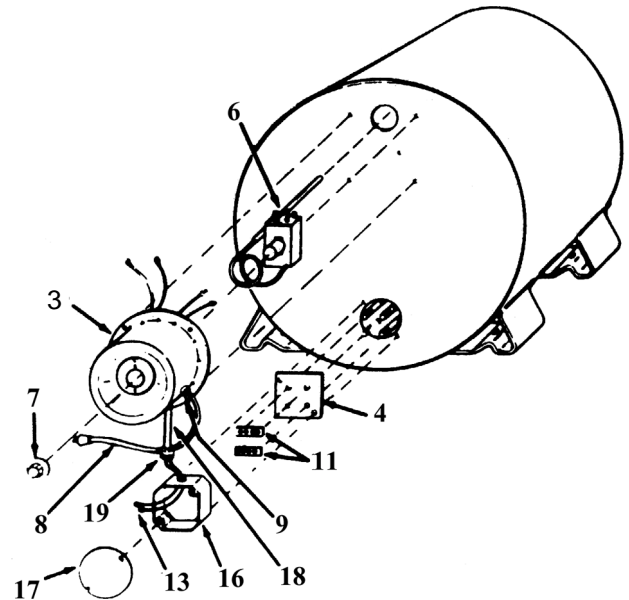
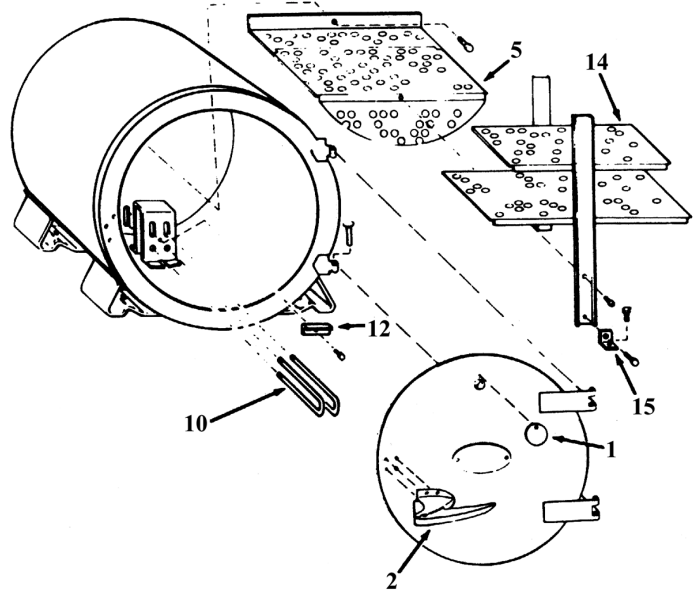




# Repair Parts List and Diagram for DryRod Type 300 Series Ovens

Item No.	Description	Qty/ Oven	Part Numbers	
			120V AC Only	240V-480 AC Only
1	Vent Cover Kit includes two vent covers	1	1257152	
2	Door Latch & Strike	1	1252200	
3	Thermostat Housing	1	2200200	
4	Insulation Block	1	1252400	
5	Lower Shelf Assembly	1	1255200	
Thermostat Kit includes				
6	Thermostat	1	1251100	1251200
7	Thermostat knob	1		
Cord Kit Includes				
8	Connection Cord	1	1257120	1257121
9	Cord Grip (7W-2)	1		
Heating Element Kit Includes				
10	Element	2	1250500	1250600
11	Jumper	2		
12	Retainer	1		
Lead Kit includes material to make:			1257123	
13	Lead	2		
Shelf Assembly Kit includes			1255100	
14	Shelf Assembly	1		
15	Angle Clip	1		
Conduit Kit includes			1257151	
16	Conduit Box	1		
17	Conduit Box Cover	1		
18	Conduit 1/2" size	1		
19	Conduit Connectors 1/2" size	2		



**Note:**

Always replace BOTH heating elements if one fails. (Two are required for each oven.) Replacement elements are sold in sets of (2) each only.

