

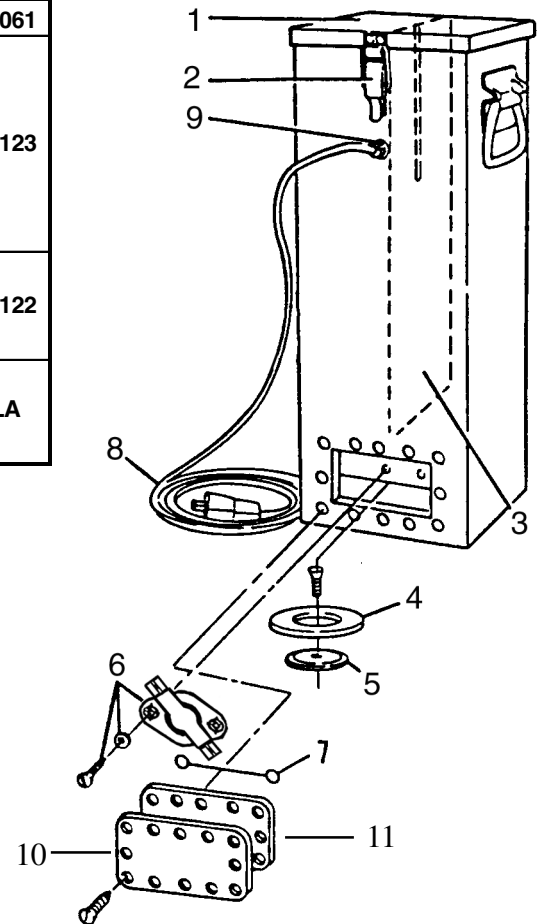


# Repair Parts List and Diagram for Type 50A Series Ovens

Models: 50A Models 7, 9, 10, 11, 14, 15 & 17

\*\*\* For Models 20 & 21, see repair parts list for Type 50B ovens

Item No.	Description	Part Numbers			
		Qty/ Oven	120V AC Only	Qty/ Oven	240V AC Only
1	Lid Assembly	1	NLA	1	NLA
1A	Lid Gasket (not shown)	1	NLA	1	NLA
2	Pull Catch Loop	1	7201400	1	7201400
3	Compartment Divider	2	2601000	2	2601000
4	Heating Element	1	4402200	1	4401700
5	Heating Element Clamp Assembly	1	NLA	1	NLA
6	Thermostat Kit	1	1257061	1	1257061
Lead Kit includes material to make:					
	Wire Assembly (2 ring terminals)	-		-	
7	Wire Assembly (2 female terminals)	1	1257123	1	1257123
	Wire Assembly (female terminal)	-		-	
	Wire Assembly (2 female terminals)	-		-	
	Fiberglass Sleeve 1.25 Ft.	1		1	
Cord Kit Includes					
8	Cord with Plug, remove plug for 240V	1	1257122	-	1257122
9	Strain Relief Bushing (7P-2)	1		1	
Gasket Kit Includes					
10	Access Plate	1	NLA	1	NLA
11	Gasket	1		1	



Phoenix International, Inc. - 8711 West Port Avenue - Milwaukee, WI 53224 USA

Tel: (414) 973-3400 - Fax: (414) 973-3210

www.phx-international.com