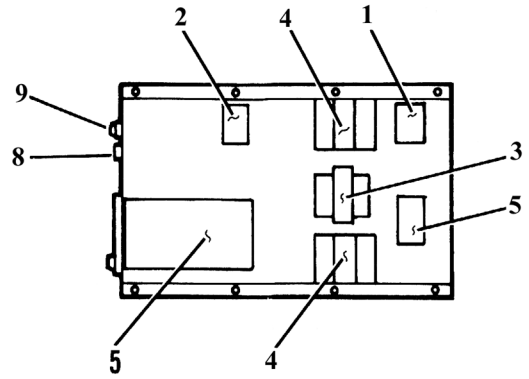


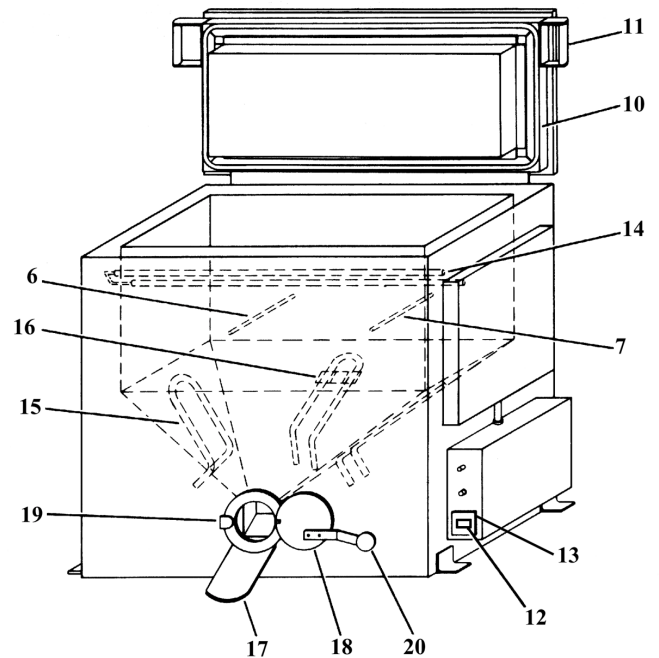


Repair Parts List and Diagram for DryRod Type 750HT Series Ovens

Item No.	Description	Qty/ Oven	Part Numbers
			240V- 480V AC Only
1	Fuse Block	1	4345700
2	Relay	1	4306500
3	Transformer	1	4340100
4	Contactor	2	4343300
5	Terminal Block	1	4343900
6	Temperature Limit Switch	1	4312000
7	Thermal Element	1	4306000
8	Reset Switch	1	4311900
9	Red Indicator Light	1	4603200
10	Lid Gasket	1	2502500
11	Plastic Handle	1	2502300
Controller Kit includes			1257110
12	Controller	1	
13	Adapter Plate	1	
Heating Element Kit Includes			1257145
14	Heating Element	9	
15	Heating Element	3	
16	Heating Element Clamp	6	
Valve Kit includes			1257153
17	Trough Assembly	1	
18	Gate Assembly	1	
19	Gate Cam	1	
20	Plastic Hand Knob (with stud)	1	



**CONTROLS ENCLOSURE
WITHOUT COVER**



Note:

Always replace ALL heating elements if one fails. (Twelve are required for each oven.) Replacement elements are sold in sets of (12) each only.

Phoenix International, Inc. - 8711 West Port Avenue - Milwaukee, WI 53224 USA

Tel: (414) 973-3400 - Fax: (414) 973-3210

www.phx-international.com