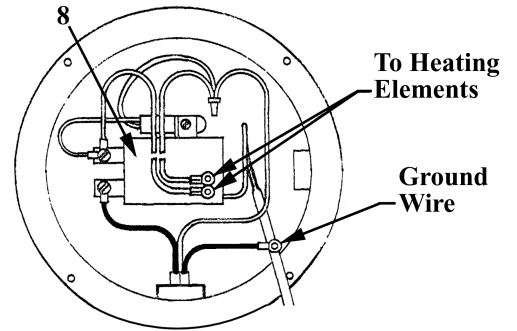




## Repair Parts List and Diagram for DryRod Type 900 Series Ovens

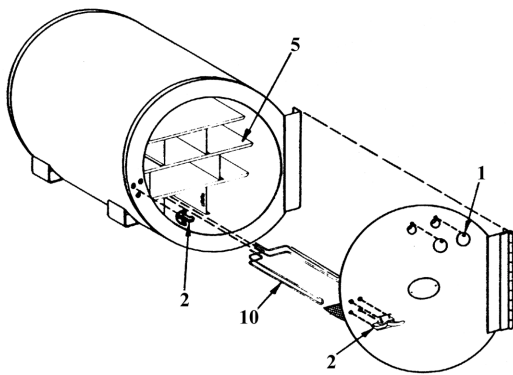
Item No.	Description	Qty/ Oven	Part Numbers			
			120V AC Only	240/480V AC Only	208/415V AC Only	308V AC Only
1	Vent Cover Kit includes two vent covers	1	1257152			
2	Door Latch & Strike	1	1252200			
3	Thermostat Housing	1	2200200			
4	Insulation Block	1	1252400			
5	Shelf Assembly	1	1801200			
Thermostat Kit includes			1251100	1251200		
6	Thermostat	1				
7	Thermostat knob	1				
Cord Kit Includes			1257120	1257121		
8	Connection Cord	1				
9	Cord Grip (7W-2)	1				
Heating Element Kit Includes			1252300	1250700	1257146	1257147
10	Element	2				
11	Jumper	2				
Lead Kit includes material to make:			1257123			
12	Lead	2				
Conduit Kit includes			1257151			
13	Conduit Box	1				
14	Conduit Box Cover	1				
15	Conduit 1/2" size	1				
16	Conduit Connectors 1/2" size	2				



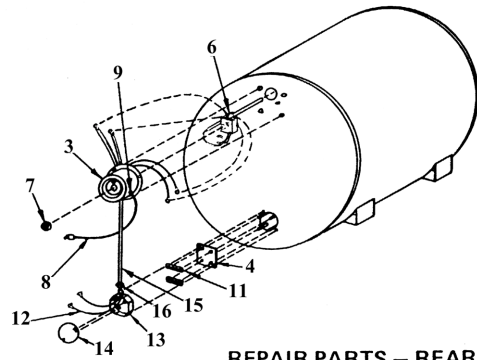
- A. To Heating Elements
- B. Ground Wire
- C. Thermostat

### Note:

Always replace BOTH heating elements if one fails. (Two are required for each oven.) Replacement elements are sold in sets of (2) each only.



REPAIR PARTS – FRONT VIEW



REPAIR PARTS – REAR VIEW

Phoenix International, Inc. - 8711 West Port Avenue - Milwaukee, WI 53224 USA

Tel: (414) 973-3400 - Fax: (414) 973-3210

[www.phx-international.com](http://www.phx-international.com)