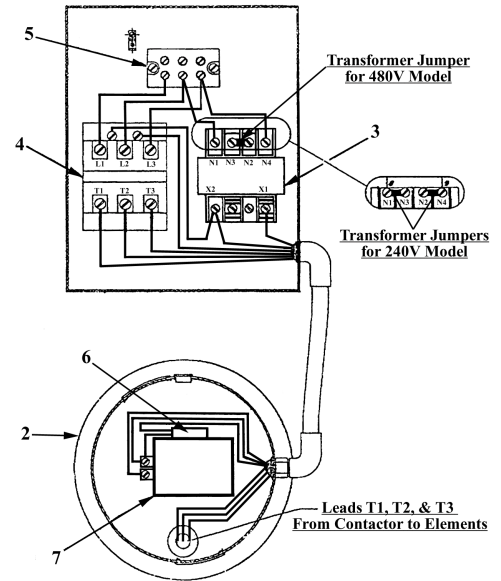




## Repair Parts List and Diagram for DryRod Type 950FX Series Ovens

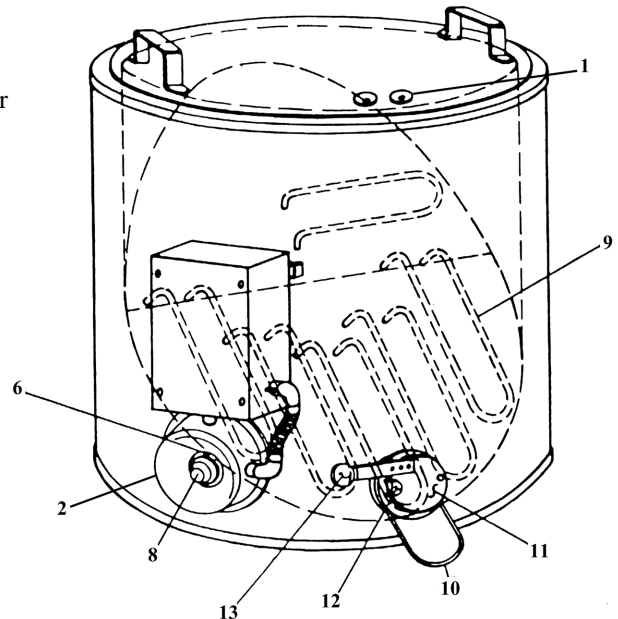
Item No.	Description	Qty/ Oven	Part Numbers
			240V- 480V AC Only
1	Vent Cover Kit includes two vent covers	1	1257152
2	Thermostat Housing	1	2200200
3	Transformer	1	4340100
4	Contactors	1	4343300
5	Terminal Block	1	4343900
6	Indicator Light	1	4600800
Thermostat Kit includes			1253800
7	Thermostat	1	
8	Thermostat knob	1	
Heating Element Kit Includes			1257144
9	Element	6	
Valve Kit includes			1257153
10	Trough Assembly	1	
11	Gate Assembly	1	
12	Gate Cam	1	
13	Plastic Hand Knob (with stud)	1	
Lead Kit includes material to make:			1257123
14	Leads (2 kits/oven to replace all leads)	9	

*240 VOLT*



**Note:**

Always replace ALL heating elements if one fails. (Six are required for each oven.) Replacement elements are sold in sets of (6) each only.



Phoenix International, Inc. - 8711 West Port Avenue - Milwaukee, WI 53224 USA

Tel: (414) 973-3400 - Fax: (414) 973-3210

www.phx-international.com